



TECHNICAL SPECIFICATION

Light source	High brightness LED
Color rendering index	> 70
Luminaire luminous flux	11250lm [average]
Power consumption	up to 150W
Power factor	>0.9
Operation temperature	-30°C ~ 50°C
LPW@Tj25°C	75 lm/w average(6000/6100K)
Light distribution pattern	as customer requests
Long lifetime LED	> 50,000 hours

IP Degree

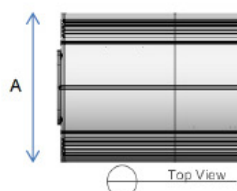
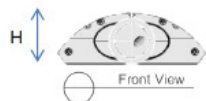
IP 67

No UV or IR light radiation
Special batwing and bisymmetrical light pattern
Optimized heat fins with artistic design
110V/240V input Voltage

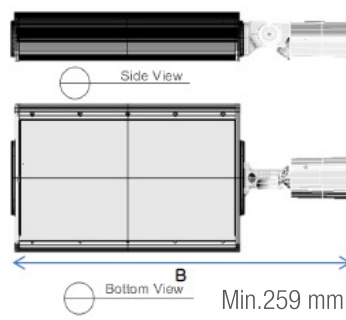


FEATURE & DIMENSION

Min. 96 mm
Max. 97 mm



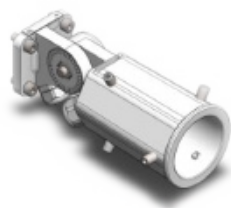
Min. 283 mm
Max. 284 mm



Min.259 mm
Max.261 mm

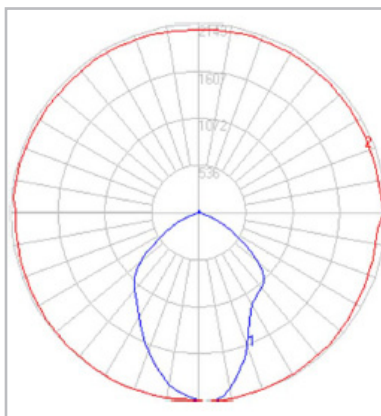


ARM TYPE

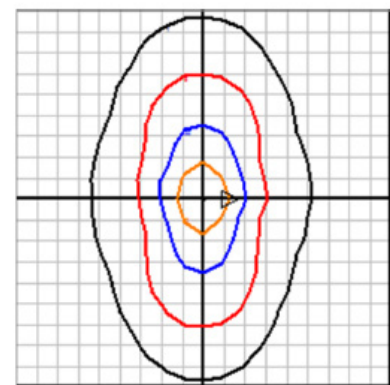


[APO - 04 - T]

PHOTOMETRIC CHARACTERISTIC



Light distribution pattern



Illuminance iso-line



APPLICATION



Be replacing the existing light such as sodium lamps(30W, 70W) with LED guard light, Vaasa, 50% energy saving and fivefold increased lifespan are achieved.

Application

- Public roadways
- City Streets
- Parks
- Walkways
- Car Parks

PRODUCT NUMBER

LCV 15 46 FN S 1T G - 01

