

## TECHNICAL SPECIFICATION

Light source	High brightness LED
Color rendering index	> 70
Luminaire luminous flux	6790lm [average]
Power consumption	up to 70W
Power factor	0.95@110,220,230V AC
Operation temperature	-30°C ~ 50°C
LPW@Tj25°C	97 lm/w [average] (5700K ANSI nominal CCT )
Light distribution pattern	as customer requests
Long lifetime LED	> 50,000 hours

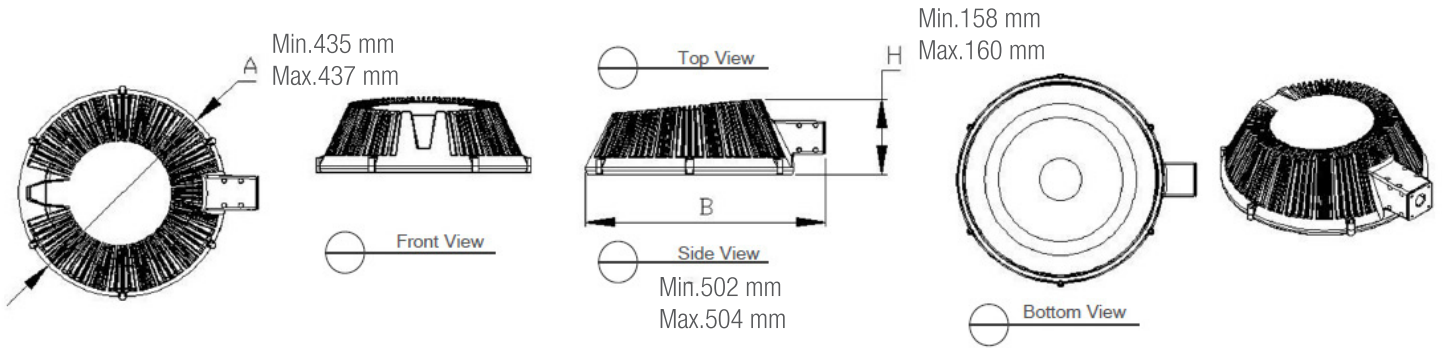
### IP Degree

# IP 67

No UV or IR light radiation
Special batwing and bisymmetrical light pattern
Optimized heat fins with artistic design
DC24V input voltage



## FEATURE & DIMENSION



## OPEN - CLOSE MODE

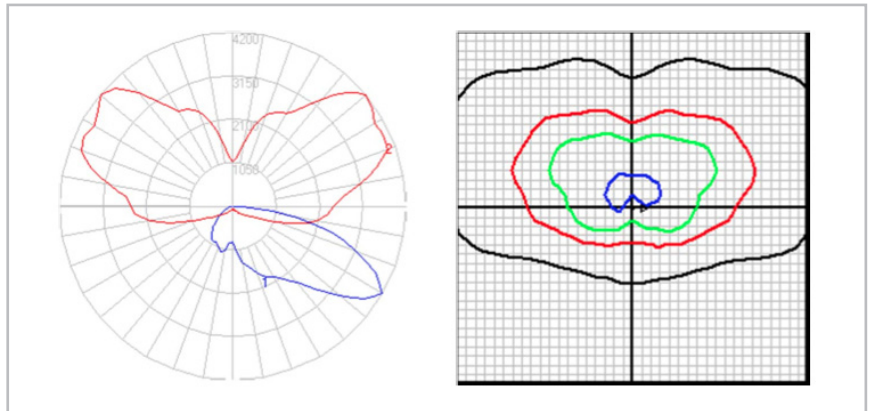


Open Glass



Close Glass

## PHOTOMETRIC CHARACTERISTIC



Light distribution pattern

Illuminance iso-line



## APPLICATION



Asia

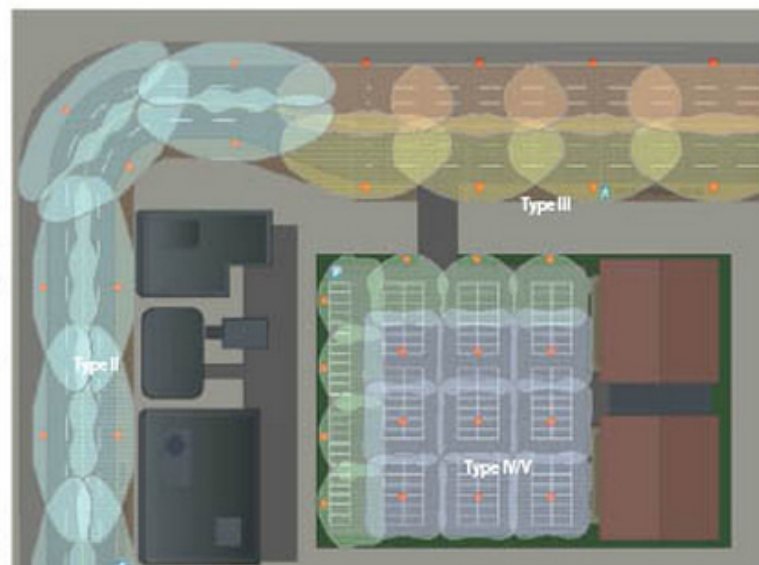
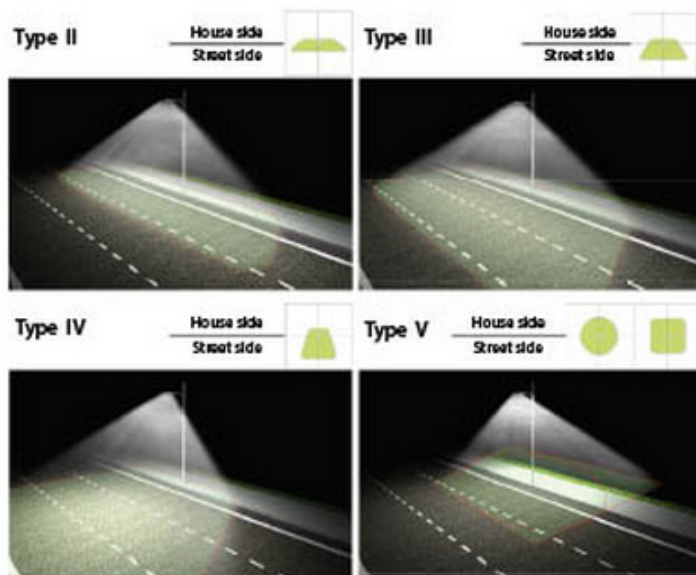


Bajas temperaturas reducen los riesgos de incendio



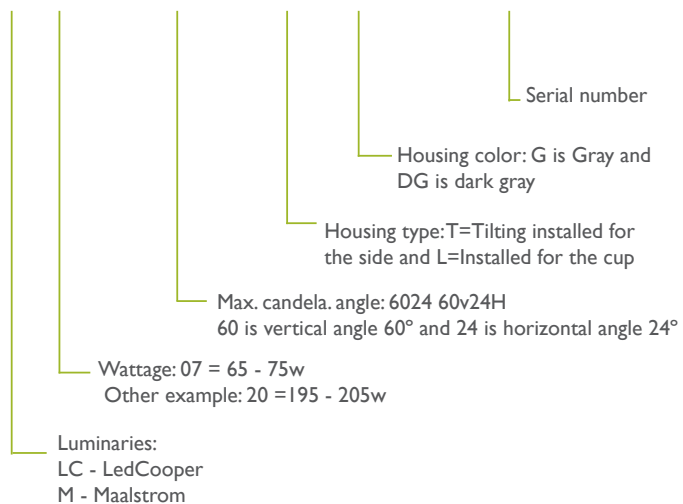
Minera del Norte de Chile

## IESNA (The Illuminating Engineering Society of North America) Road Classification Standards



## PRODUCT NUMBER

LCM 07 6024 1T G - 01S



# Maalstrom 70W for Solar

Code: LCM0760241TG-01S



## CERTIFICATIONS

### INTERNACIONALES

**TUV ATTESTATION**

Attestation No. 09 PELCE 00004/03TIC

**ATTESTATION OF CONFORMITY**

WE HEREBY DECLARE THAT THE PRODUCT

**LED STREET LIGHT**

RATED:  
 INPUT (70W) : AC230-240V, 50/60Hz  
 OUTPUT (100W) : 120/277V, 50/60Hz, 4A  
 OUTPUT 2 : DC24V, 4.1A, 100W

MODEL:  
**Maalstrom**

APPLICANT:  
**AMO Co., Ltd.**

#185-1, Sucham-ri, Tongjin-eup, Gimpo-si, Kyonggi, Korea

IS IN COMPLIANCE WITH THE REQUIREMENTS OF THE STANDARDS

EN 55015:2006  
 EN 61547:1995+A1:2000  
 EN 61000-3-3:1995+A1:2001+A2:2005

AS RESULT OF THE TEST IN OUR APPOINTED LABORATORY

ERI (EMC RESEARCH INSTITUTE)

CE Marking:

Annex B:

TUV

**EC Declaration of Conformity**

Ref No.: SLB-1040255

Product: LED Lamp

Model(s): SODIX RW

Manufacturer: AMOLUXE CO., LTD.

(Factory): 579-10, Manho-Ri, Posong-Eup, Pyeongtaek-Si, Gyeonggi-Do, KOREA

Harmonized Standard: EN 60968:1999 + A1:1993 + A2:1999 used in conjunction with EN 60061-1:1993 for the lamp cap EN 61347-2-13:2006 for the equipped control gear

We herewith declare,

that this above product complies with the appropriate basic safety and health requirements of the EC Directive based on its design and type, as brought into circulation by us. In case of alteration of this equipment, not agreed upon by us, this declaration will become void.

Date: March 15, 2010

according to Low Voltage Directive 2006/95/EC

Signature:

Xim Ho Sang / President

CE Marking:

CE

**UL the standard in safety**

File: E89732 Vol 1

Issue: 2010-11-05  
 Revision: 2003-02-05

POWER-UP SERVICE PROGRAM  
 TYPE 13

LIGHT-EMITTING-DIODE STREET-OUTSIDE LUMINAIRE  
 (TYPE 13)

Manufacturer: AMOLUXE CO. LTD.  
 (100763-182) 185-1, 207, 303, 304-1, 401, 402, 403, 404, 405, 406, 407, 408, 409, 410, 411, 412, 413, 414, 415, 416, 417, 418, 419, 420, 421, 422, 423, 424, 425, 426, 427, 428, 429, 430, 431, 432, 433, 434, 435, 436, 437, 438, 439, 440, 441, 442, 443, 444, 445, 446, 447, 448, 449, 450, 451, 452, 453, 454, 455, 456, 457, 458, 459, 460, 461, 462, 463, 464, 465, 466, 467, 468, 469, 470, 471, 472, 473, 474, 475, 476, 477, 478, 479, 480, 481, 482, 483, 484, 485, 486, 487, 488, 489, 490, 491, 492, 493, 494, 495, 496, 497, 498, 499, 500, 501, 502, 503, 504, 505, 506, 507, 508, 509, 510, 511, 512, 513, 514, 515, 516, 517, 518, 519, 520, 521, 522, 523, 524, 525, 526, 527, 528, 529, 530, 531, 532, 533, 534, 535, 536, 537, 538, 539, 540, 541, 542, 543, 544, 545, 546, 547, 548, 549, 550, 551, 552, 553, 554, 555, 556, 557, 558, 559, 560, 561, 562, 563, 564, 565, 566, 567, 568, 569, 570, 571, 572, 573, 574, 575, 576, 577, 578, 579, 580, 581, 582, 583, 584, 585, 586, 587, 588, 589, 590, 591, 592, 593, 594, 595, 596, 597, 598, 599, 600, 601, 602, 603, 604, 605, 606, 607, 608, 609, 610, 611, 612, 613, 614, 615, 616, 617, 618, 619, 620, 621, 622, 623, 624, 625, 626, 627, 628, 629, 630, 631, 632, 633, 634, 635, 636, 637, 638, 639, 640, 641, 642, 643, 644, 645, 646, 647, 648, 649, 650, 651, 652, 653, 654, 655, 656, 657, 658, 659, 660, 661, 662, 663, 664, 665, 666, 667, 668, 669, 670, 671, 672, 673, 674, 675, 676, 677, 678, 679, 680, 681, 682, 683, 684, 685, 686, 687, 688, 689, 690, 691, 692, 693, 694, 695, 696, 697, 698, 699, 700, 701, 702, 703, 704, 705, 706, 707, 708, 709, 710, 711, 712, 713, 714, 715, 716, 717, 718, 719, 720, 721, 722, 723, 724, 725, 726, 727, 728, 729, 730, 731, 732, 733, 734, 735, 736, 737, 738, 739, 740, 741, 742, 743, 744, 745, 746, 747, 748, 749, 750, 751, 752, 753, 754, 755, 756, 757, 758, 759, 760, 761, 762, 763, 764, 765, 766, 767, 768, 769, 770, 771, 772, 773, 774, 775, 776, 777, 778, 779, 780, 781, 782, 783, 784, 785, 786, 787, 788, 789, 790, 791, 792, 793, 794, 795, 796, 797, 798, 799, 800, 801, 802, 803, 804, 805, 806, 807, 808, 809, 810, 811, 812, 813, 814, 815, 816, 817, 818, 819, 820, 821, 822, 823, 824, 825, 826, 827, 828, 829, 830, 831, 832, 833, 834, 835, 836, 837, 838, 839, 840, 841, 842, 843, 844, 845, 846, 847, 848, 849, 850, 851, 852, 853, 854, 855, 856, 857, 858, 859, 860, 861, 862, 863, 864, 865, 866, 867, 868, 869, 870, 871, 872, 873, 874, 875, 876, 877, 878, 879, 880, 881, 882, 883, 884, 885, 886, 887, 888, 889, 890, 891, 892, 893, 894, 895, 896, 897, 898, 899, 900, 901, 902, 903, 904, 905, 906, 907, 908, 909, 910, 911, 912, 913, 914, 915, 916, 917, 918, 919, 920, 921, 922, 923, 924, 925, 926, 927, 928, 929, 930, 931, 932, 933, 934, 935, 936, 937, 938, 939, 940, 941, 942, 943, 944, 945, 946, 947, 948, 949, 950, 951, 952, 953, 954, 955, 956, 957, 958, 959, 960, 961, 962, 963, 964, 965, 966, 967, 968, 969, 970, 971, 972, 973, 974, 975, 976, 977, 978, 979, 980, 981, 982, 983, 984, 985, 986, 987, 988, 989, 990, 991, 992, 993, 994, 995, 996, 997, 998, 999, 1000

This Procedure certifies that the above manufacturer to use the marking specified by Underwriters Laboratories Inc. (UL) or any authorized licensee of UL only on products covered by this Procedure, in accordance with the applicable UL Safety Agreement.

The prescribed Mark or Marking shall be used only at the above manufacturing location in such products which comply with this procedure and any other applicable requirements.

The Procedure contains information for the use of the above name Manufacturer and representatives of Underwriters Laboratories, Inc. and is not to be used for any other purpose. It is not to be used in the manufacturing with the understanding that it is not to be used, unless clearly so in part, and that it will be returned to UNDERWRITERS LABORATORIES, INC. (UL) or any authorized licensee of UL, upon request.

This procedure, and any subsequent revision, is the property of Underwriters Laboratories, Inc. (UL) and the authorized licensee of UL and is not transferable.

Underwriters Laboratories, Inc.

Signature:

William R. Conroy  
 Director  
 South American Certification Program

UL

### NACIONALES

**CERTIFICADO DE APROBACION DE TIPO**

E-008-01-17675

Autóricado por la Superintendencia de Tecnología y Contratación, según Resolución Ejecutiva N° 965, de fecha 01 de Abril de 2011.

N° Certificado SEC: 42749

Fecha de Emisión del Certificado: 27/03/2012

N° y Fecha de Solicitud de Certificación: E-008-01-27775 de fecha 10/04/2012

Procedo de Análisis y Ensayo: PR N° 5697

Normas Técnicas de Certificación: IEC 60669-2:2002; IEC 60669-1:2006; IEC 60335-2:01

Nombre del Solicitante de Certificación: SERVICIO DE INGENIERIA Y OBRAS/CONSTRUCCIONES SOTAC S.A.

Dirección del Solicitante: Avenida Las Torres, Providencia - Santiago

Declaración de Ingreso al Sistema Nacional de Aduana (SNA): No aplica

1- IDENTIFICACION DEL PRODUCTO

1.1 Descripción Técnica del Producto: Luminaria para alumbrado público

1.2 Distribución Comercial del Producto: Luminaria para alumbrado público

1.3 Marca: AMOLUXE

1.4 Modelo o Tipo: Maalstrom

1.5 Características Técnicas: 220-240V~50/60Hz / Class II / IP 67

1.5.1 Potencias nominales: 100W

1.5.2 Fuente de luz: Módulos LED's

1.5.3 Medio de instalación: Sobre un trazo de una columna o poste

1.5.4 Altura de montaje: Mín. 4m - Máx. 11m

1.6 Identificación por Traceabilidad: SVA/AMC

1.7 País de origen: COREA

1.8 Provisión: COREA

1.9 Termino de la muestra: 1 unidad

1.10 Nombre del Fabricante: AMOLUXE

1.11 Dirección del Fabricante: 112-Jamsil-Dong Seocho-Gu, Seoul, Korea

2- OTROS ANTECEDENTES

2.1 Nombre del Laboratorio donde se ejecutaron los ensayos: CESMEC S.A.

2.2 N° de informe de ensayo: SCE-2012P

NOTA: ELABORADO AUSENTE DE LA PRESENCIA DEL REPRESENTANTE DEL FABRICANTE EN EL MOMENTO DE LA EMISIÓN DEL CERTIFICADO Y DE SERVICIO AL CLIENTE.

FECHA: 03 FEB 2012

DILIGENCIA NOTARIAL AL DOSSIER

CESMEC (1 DE 2)

**CERTIFICADO DE APROBACION DE TIPO**

E-008-01-17675

3- USOS DEL PRODUCTO

3.1 Clasificación según las condiciones de empleo (uso): Para iluminación exterior pública normal

3.2 Clasificación según el material de la superficie de apoyo, para la que está prevista la Luminaria: Luminaria fija adecuada para el montaje solo sobre superficies incombustibles no inflamables.

4- APROBACION Y VIGENCIA

En atención a los resultados obtenidos en los ensayos y pruebas efectuadas, se otorga el presente Certificado de Tipo, de acuerdo a las disposiciones legales, reglamentarias y normativas vigentes.

NOTA: CUANDO AUSENTE O, DEPENDIENDO DE LA NATURALEZA DEL PRODUCTO, SE REQUIERA CONFORMAR CON LA LEY Y SER REVISADO AL REINGRESO

FECHA: 03 FEB 2012

DILIGENCIA NOTARIAL AL DOSSIER

CESMEC (2 DE 2)