



TECHNICAL SPECIFICATION

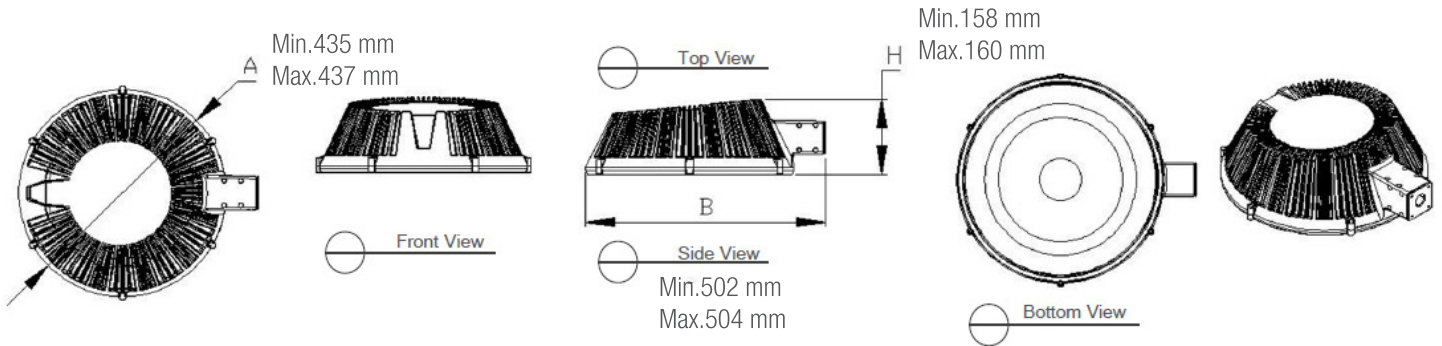
Light source	High brightness LED
Color rendering index	> 70
Luminaire luminous flux	3200lm [average]
Power consumption	up to 30W
Power factor	0.95@110,220,230V AC
Operation temperature	-30°C ~ 50°C
LPW@Tj25°C	110 lm/w [average] (5700K ANSI nominal CCT)
Light distribution pattern	as customer requests
Long lifetime LED	> 50,000 hours

IP Degree

IP 67

No UV or IR light radiation
Special batwing and bisymmetrical light pattern.
Optimized heat fins with artistic design
DC24V input Voltage

FEATURE & DIMENSION



OPEN - CLOSE MODE

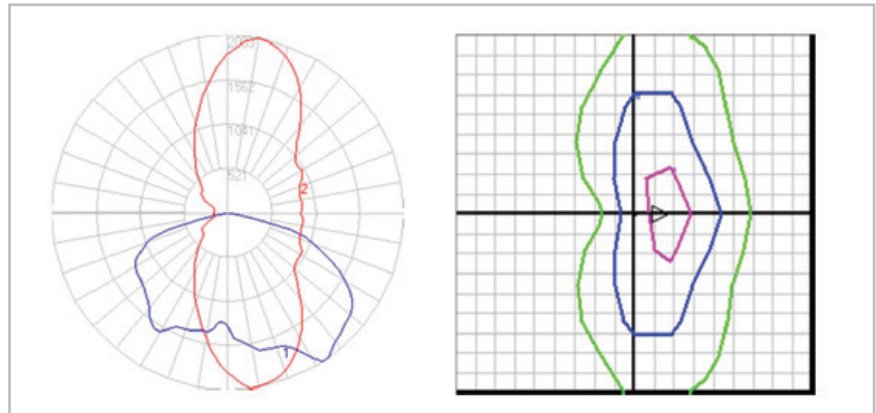


Open Glass



Close Glass

PHOTOMETRIC CHARACTERISTIC



Light distribution pattern

Illuminance iso-line



APPLICATION



Asia

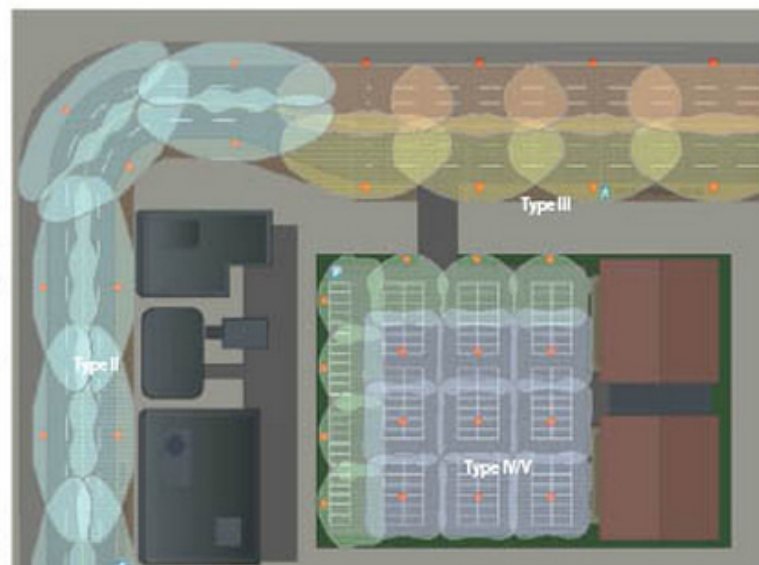
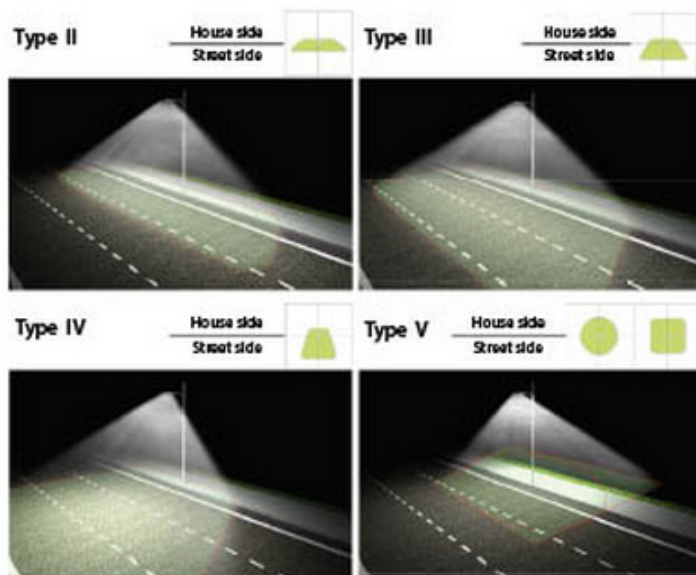


Bajas temperaturas reducen los riesgos de incendio



Minera del Norte de Chile

IESNA (The Illuminating Engineering Society of North America) Road Classification Standards



PRODUCT NUMBER

LCM S 03 11 1G1 E1 - B2F 7Z - 01

- LCM - Luminaries: LC- LedCooper, M - Maalstrom
- S - Wattage: 03=27 -33w
- 11 - Type: II-Lighting distribution type I
- 1G1 - Housing color: G1-Gray
- E1 - Housing type: E1-Tilting
- B2F - LED Type: B2F-XP-G Cool R4
- 7Z - SMPS:7Z-Solar (No SMPS)
- 01 - Serial number

Maalstrom 30W for Solar

Code: LCMS03111G1E1-01



CERTIFICATIONS

INTERNATIONAL

TUV ATTESTATION

Attestation No. 09 PELCE 00004/03TIC

ATTESTATION OF CONFORMITY

WE HEREBY DECLARE THAT THE PRODUCT

LED STREET LIGHT

RATED:
 INPUT (70W) : AC230-240V, 50/60Hz
 OUTPUT (100W) : 120/277V, 50/60Hz, 4A
 OUTPUT 2 : DC24V, 70W

MODEL:
Maalstrom

APPLICANT:
AMO Co., Ltd.

#185-1, Sucham-ri, Tongjin-eup, Gimpo-si, Kyonggi, Korea

IS IN COMPLIANCE WITH THE REQUIREMENTS OF THE STANDARDS

EN 55015:2006
 EN 61547:1995+A1:2000
 EN 61000-3-3:1995+A1:2001+A2:2005

AS RESULT OF THE TEST IN OUR APPOINTED LABORATORY

ERI (EMC RESEARCH INSTITUTE)

CE Marking:

Model: This attestation of conformity is issued according to the evaluation of the product samples and it does not affect the conformity of the production specimens. The holder can use the attestation with his CE marking of conformity and the mark of conformity of all a category mark of TUV INTERCERT. This CE marking can be used on the product if the necessary technical documentation for all the relevant provisions and standards is prepared with the required Declaration of conformity.

TUV INTERCERT

An Eisenstr. 2, D-59271 Born, 01.10.2008

TUV

EC Declaration of Conformity

Ref No.: SLB-104255

Product: LED Lamp

Model(s): SODIX BW

Manufacturer: AMOLUXE CO., LTD.

(Factory): 579-10, Manho-Ri, Posong-Eup, Pyeongtaek-Si, Gyeonggi-Do, KOREA

Harmonized Standard: EN 60968-1999 + A1:1993 + A2:1999 used in conjunction with EN 60061-1-1993 for the lamp cap
 EN 61347-2-13:2006 for the equipped control gear

We herewith declare,

that this product complies with the appropriate basic safety and health requirements of the EC Directive based on its design and type, as brought into circulation by us. In case of alteration of this equipment, not agreed upon by us, this declaration will become invalid.

Date: March 15, 2010

according to
 Low Voltage Directive 2006/95/EC

Signature:

Xim Pa Eang / President

CE

UL the standard in safety

File: E89732 Vol 1

Issued: 2010-11-05
 Revised: 2013-03-25

POWER-UP SERVICE PROGRAM
 TYPE 13

LIGHT-EMITTING-DIODE (LED)-BULB-LED LUMINAIRE
 (TYPE 13)

Manufacturer: AMOLUXE CO LTD
 (100793-182) 100-1, 107, 303, 304-1, 41
 JONGNAM-RO, JONGNO-GU
 SEOUL-TO, KOREA

Model(s): AMOLUXE CO LTD
 (130531-648) 17-2, JONGNAM-RO
 SEONGSO-GU, SEOUL, 137-702, KOREA
 (130531-648) 2006 AS APPLICABLE

This Procedure authorizes the above manufacturer to use the marking specified by Underwriters Laboratories Inc., Ltd. or any authorized licensee of UL only on products covered by this Procedure, in accordance with the applicable UL Safety Agreement.

The prescribed Mark or Marking shall be used only at the above manufacturing location in such products which comply with this procedure and any other applicable requirements.

The Procedure contains information for the use of the above named Manufacturer and representatives of Underwriters Laboratories, Inc. and is not to be used for any other purpose. It is used in the manufacture with the understanding that it is not to be copied, altered, added to in part, and that it will be returned to UNDERWRITERS LABORATORIES, INC. in its or any authorized licensee of UL, upon request.

THE PROCEDURE, and any subsequent revision, is the property of Underwriters Laboratories Inc. (UL) and the authorized licensee of UL and is not transferable.

Underwriters Laboratories Inc.

Stephen Hanson
 Director, VICE PRESIDENT
 Global Market-By-Service Operations

William R. Carney
 Director
 South American Certification Program

UL

NATIONAL

CERTIFICADO DE APROBACION DE TIPO

E-008-01-17675

Notificado por la Superintendencia de Electricidad y Combustibles, según Resolución interna N° 965, de fecha 01 de Abril de 2011.

N° Certificado SEC: 42749

Fecha de Emisión del Certificado: 27/03/2012

N° y Fecha de Solicitud de Certificación: E-008-01-27775 de fecha 10/04/2012

Procedo de Análisis y Ensayo: PR N° 5697

Normas Técnicas de Certificación: IEC 60669-2:2002; IEC 60669-1:2006; IEC 60335-2:01

Nombre del Solicitante de Certificación: SERVICIO DE INGENIERIA Y OBRAS/CONSTRUCCIONES SOTAC S.A.

Dirección del Solicitante: Avenida Mac Iñan, Providencia - Santiago

Declaración de Ingreso al Sistema Nacional de Aduana (SNA): No aplica

1- IDENTIFICACION DEL PRODUCTO

1.1 Descripción Técnica del Producto: Luminaria para alumbrado público

1.2 Marca: AMOLUXE

1.3 Modelo o Tipo: Maalstrom

1.4 Características Técnicas: 220-240V~50/60Hz / Class I / IP 67 / 100W

1.5.1 Potencias nominales: Módulos LED's

1.5.2 Fuente de luz: Sobre un trazo de una columna o poste

1.5.3 Modo de instalación: Mm. An. Máx. 11 m

1.6 Identificación por Traceabilidad: No aplica

1.7 País de origen: COREA

1.8 Proveniencia: COREA

1.9 Termino de la muestra: 1 unidad

1.10 Nombre del Fabricante: AMOLUXE

1.11 Dirección del Fabricante: 17-2 Jamsil-Dong Seocho-Gu, Seoul, Korea

2- OTROS ANTECEDENTES

2.1 Nombre del Laboratorio donde se ejecutaron los ensayos: CESMEC S.A.

2.2 N° de informe de ensayo: SCE-2010P

NOTARIA EDUARDO AVELLO C. C. EN COMISIÓN DE LA PROTECCIÓN JURÍDICA DEL CONSUMIDOR EN EL MERCADO DE LA ENERGÍA Y DE SERVICIOS AL CONSUMIDOR

FECHA: 14 FEB 2012

DILIGENCIA NOTARIAL AL DOSSIER

CESMEC (1 DE 2)

CERTIFICADO DE APROBACION DE TIPO

E-008-01-17675

3- USOS DEL PRODUCTO

3.1 Clasificación según las condiciones de empleo (uso): Para iluminación exterior pública normal

3.2 Clasificación según el material de la superficie de apoyo, para la que está prevista la Luminaria: Luminaria fija adecuada para el montaje solo sobre superficies incombustibles no inflamables.

4- APROBACION Y VIGENCIA

En atención a los resultados obtenidos en los ensayos y pruebas efectuadas, se otorga el presente Certificado de Tipo, de acuerdo a las disposiciones legales, reglamentarias y normativas vigentes.

NOTARIA EDUARDO AVELLO C. C. EN COMISIÓN DE LA PROTECCIÓN JURÍDICA DEL CONSUMIDOR EN EL MERCADO DE LA ENERGÍA Y DE SERVICIOS AL CONSUMIDOR

FECHA: 14 FEB 2012

DILIGENCIA NOTARIAL AL DOSSIER

CESMEC (2 DE 2)