



TECHNICAL SPECIFICATION

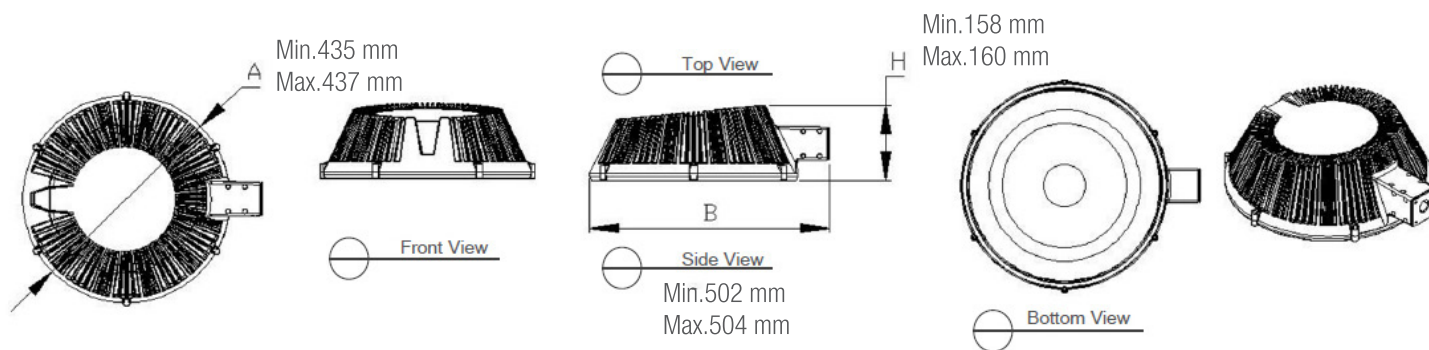
Light source	High brightness LED
Color rendering index	> 70
Luminaire luminous flux	9150lm [average]
Power consumption	up to 100W
Power factor	0.95@110,220,230V AC
Operation temperature	-30°C ~ 50°C
LPW@Tj25°C	93 lm/w [average] (5700K ANSI nominal CCT)
Light distribution pattern	as customer requests
Long lifetime LED	> 50,000 hours

IP Degree

IP 67

No UV or IR light radiation
Special batwing and bisymmetrical light pattern
Optimized heat fins with artistic design
110/240 VAC input voltage

FEATURE & DIMENSION



OPEN - CLOSE MODE

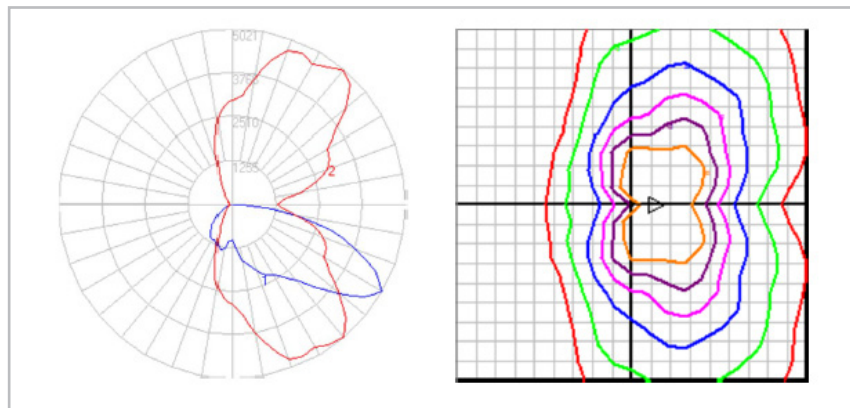


Open Glass



Close Glass

PHOTOMETRIC CHARACTERISTIC



Light distribution pattern

Illuminance iso-line



APPLICATION



Asia

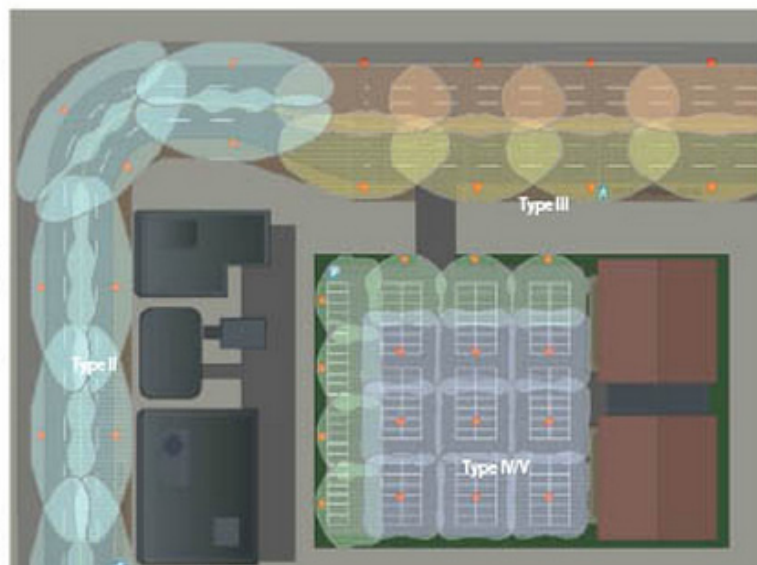
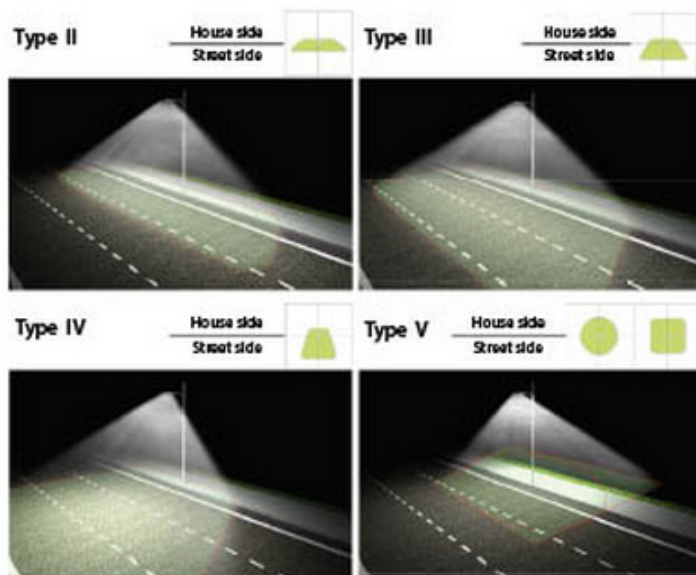


Bajas temperaturas reducen los riesgos de incendio



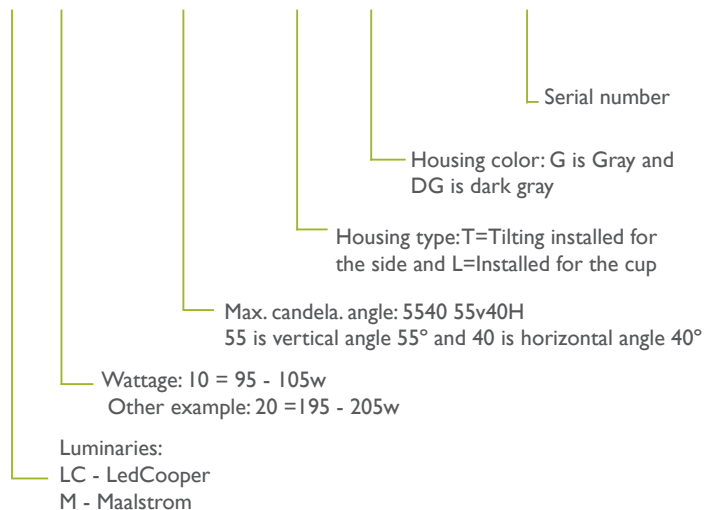
Minera del Norte de Chile

IESNA (The illuminating Engineering Society of North America) Road Classification Standards



PRODUCT NUMBER

LCM 10 5540 1T G - 12



CERTIFICATIONS

INTERNATIONAL

TUV ATTESTATION. We hereby declare that the product LED STREET LIGHT... ATTESTATION No. 09 PELCE 00004/03TIC... EN 55015:2006 EN 61547:1995+A1:2000 EN 61000-3-3:1995+A1:2001+A2:2005

TUV

EC Declaration of Conformity. Ref No.: SLB-1040255. Product: LED Lamp. Manufacturer: AMOLUXE CO., LTD. We herewith declare, that the above product complies with the appropriate basic safety and health requirements of the EC Directive based on its design and type, as brought into circulation by us.

CE

UL the standard in safety. LIGHT-EMITTING DIODE STREET-USE LED LAMP (120V, 100W). Manufacturer: AMOLUXE CO LTD. This procedure certifies the above manufacturer to use the marking specified by Underwriters Laboratories Inc. Ltd. as an authorized licensee of UL and is not transferable.

UL

NATIONAL

CERTIFICADO DE APROBACION DE TIPO. E-008-01-17675. Autorizado por la Superintendencia de Electricidad y Combustibles, según Resolución Ejecutiva N° 985, de fecha 01 de Abril de 2011. N° Certificado SEC: 42749. Marca: AMOLUXE.

CESMEC (1 DE 2)

CERTIFICADO DE APROBACION DE TIPO. E-008-01-17675. USOS DEL PRODUCTO: 3.1 Clasificación según las condiciones de empleo (uso): Para iluminación exterior de área normal. 4. APROBACION Y VIGENCIA: En atención a los resultados obtenidos en los ensayos y pruebas efectuadas, se otorga el presente Certificado de Tipo, de acuerdo a las disposiciones legales, reglamentarias y normativas vigentes.

CESMEC (2 DE 2)