



TECHNICAL SPECIFICATION

Light source	High brightness LED
Color rendering index	> 70
Luminaire luminous flux	5600lm
Power consumption	up to 70W \pm 10%
Power factor	>0.9
Operation temperature	-30°C ~ 50°C
LPW@Tj25°C	73 lm/w (5500K~6300K)
Light distribution pattern	Type V
Long lifetime LED	> 50,000 hours

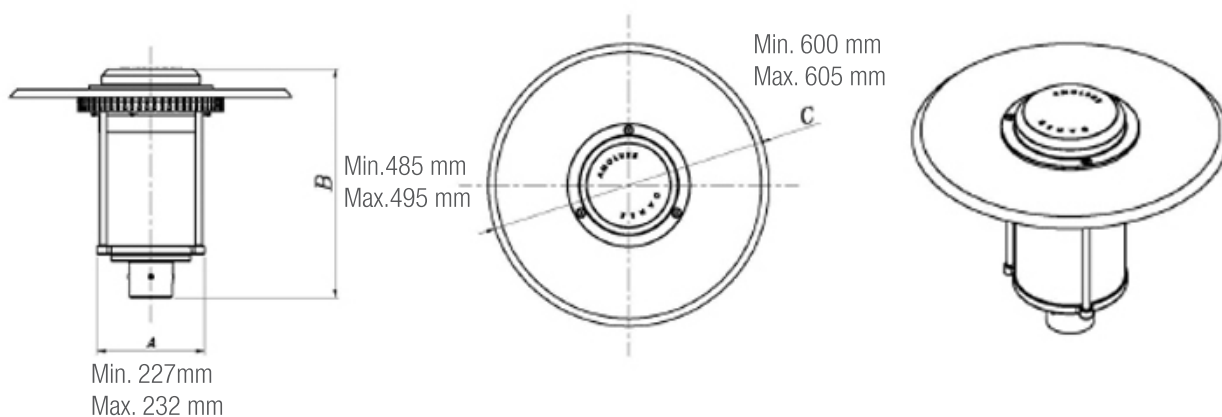
IP Degree

IP 65

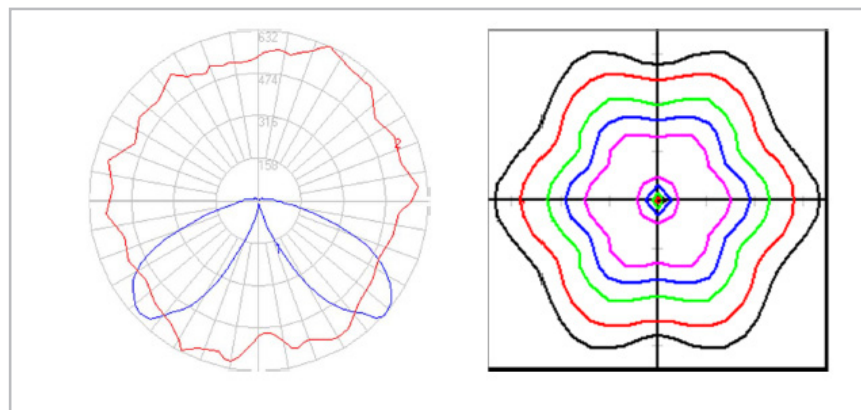
No UV or IR light radiation
Special batwing and bisymmetrical light pattern.
Optimized heat fins with artistic design
110/240 VAC input Voltage



FEATURE & DIMENSION



PHOTOMETRIC CHARACTERISTIC



Light distribution pattern

Illuminance iso-line



APPLICATION



PRODUCT NUMBER

LCD 1S7 A6BM A2D 50

